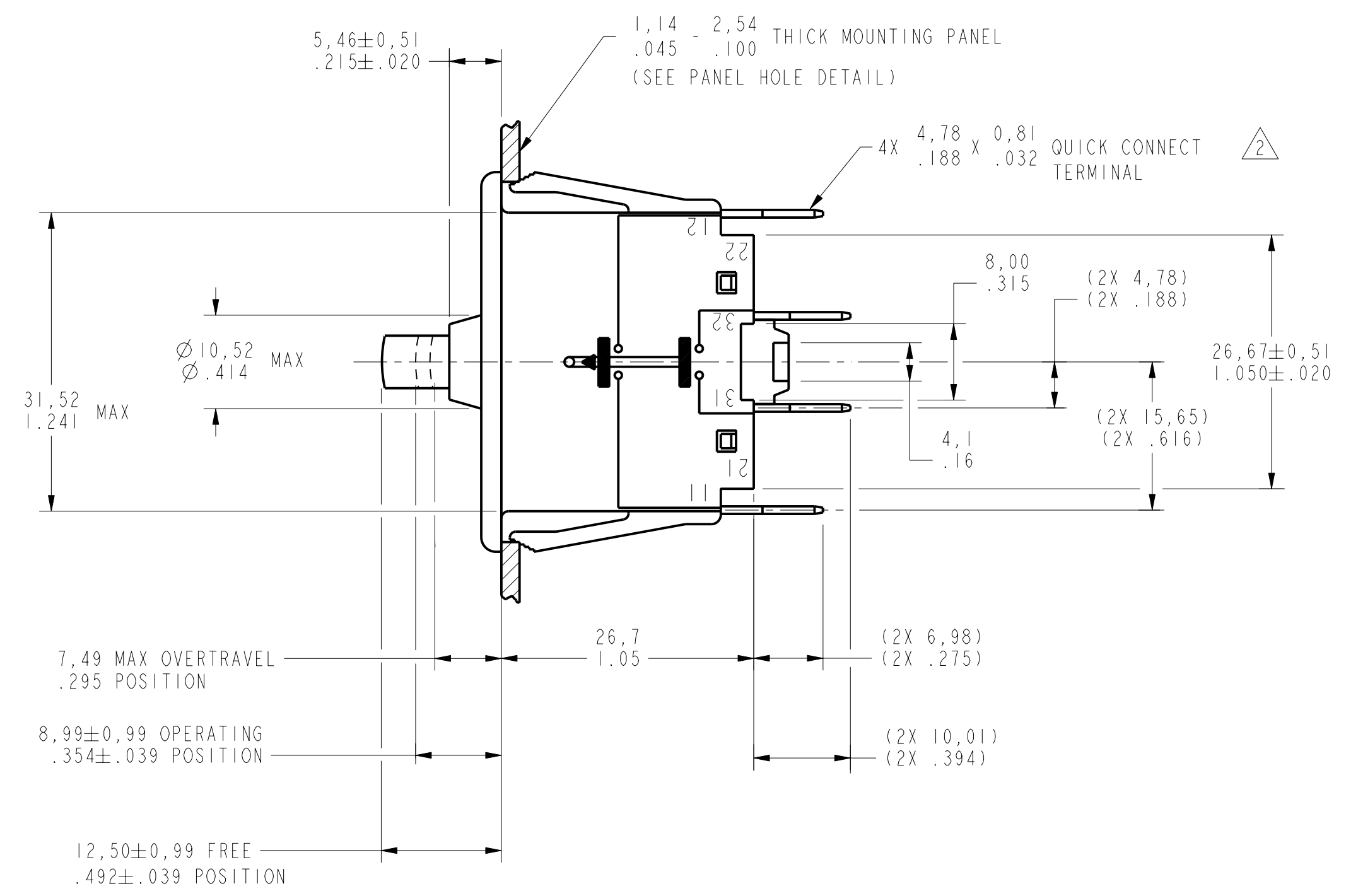
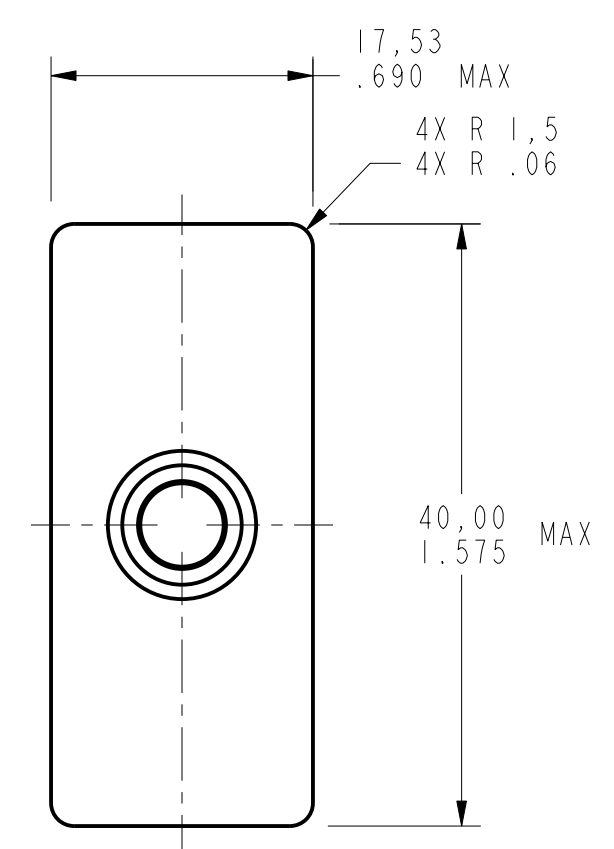
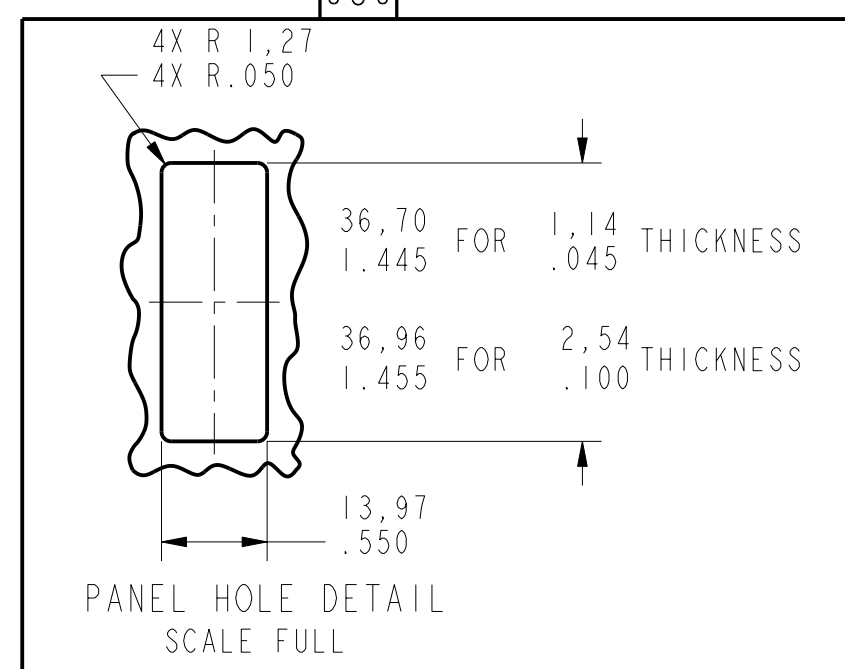
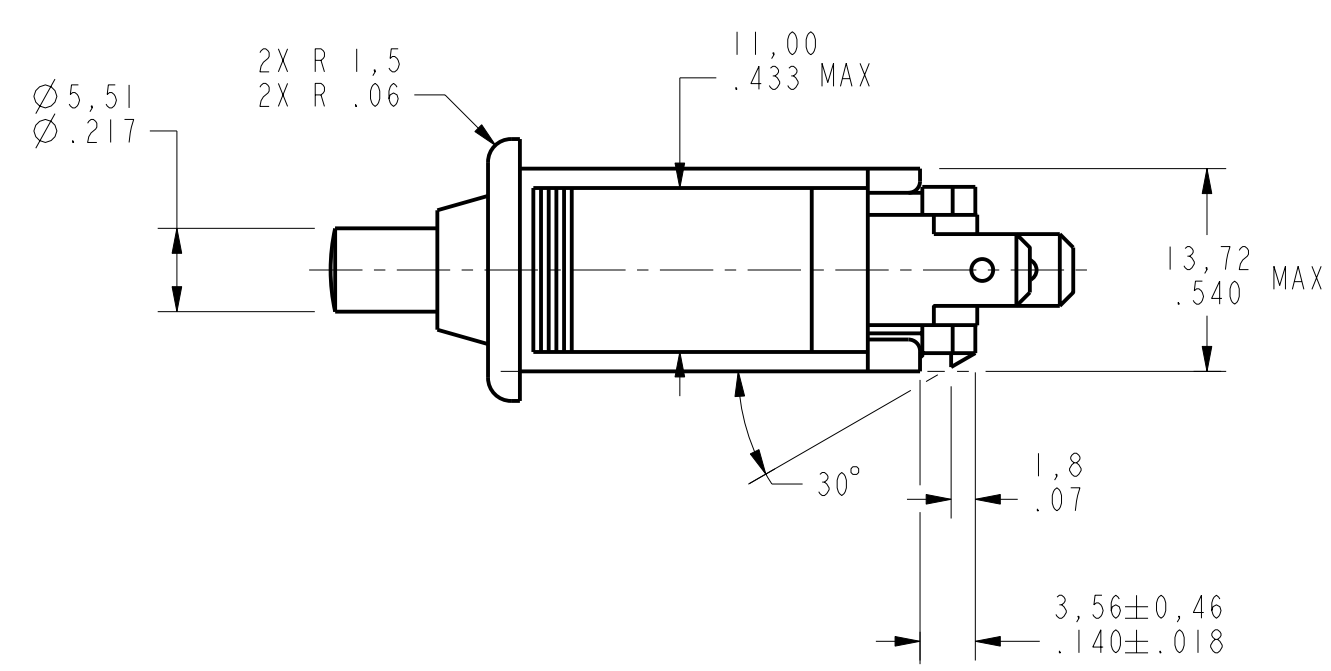


M

WWIG03A-D7



NOTES
 1 - BLACK PLASTIC HOUSING AND PLUNGER
 2 QUICK CONNECT TERMINALS CONFORM TO 4.78/.188 WIDE X 0.81/.032 THICK NEMA DC-2 SPECIFICATION

PTC/CAD 2D
 C.S.L. 15 MAR 02 CHECK SAV 15 MAR 02 CHECK
 DRAWING NUMBER
 RELEASE NO. PR-8715
 REPLACES
 ISSUE 7

CHARACTERISTICS	ELECTRICAL DATA
OPERATING FORCE - - - 9N/32 OZ APPROX	CONTACT ARRANGEMENT DOUBLE POLE
OVERTRAVEL - - - - - 2.00/.079 MIN	16A 1/2HP 125, 250 VAC 3A 125 VAC "L" PILOT DUTY: 150 VA 125, 250 VAC 2A - 24 VDC (CKT 11-12 AND 31-32) 60/75°C (CU)

THIS DRAWING COVERS A PROPRIETARY ITEM AND IS THE PROPERTY OF MICRO SWITCH, A DIVISION OF HONEYWELL. THIS DRAWING IS NOT TO BE COPIED OR USED WITHOUT THE APPROVAL OF MICRO SWITCH.

MICRO SWITCH
a Honeywell Division

SWITCH - BASIC

CATALOG LISTING
WWIG03A-D7

ANSI Y14.5M-1982 APPLIES
FED. MFG. CODE 91929

THIRD ANGLE PROJECTION

SCALE 2:1

DO NOT SCALE PRINT

TOLERANCES
 APPLY TO DESIGN UNITS. CONVERSIONS ARE ONLY FOR REFERENCE. UNLESS NOTED, TOLERANCES ARE:

DIM.	TOL.	DIM.	TOL.
mm	mm/100	"	mm/100
NO PLACES	X	1/2, 04	X, X
ONE PLACE	X, X	0.47, 016	X, XX
TWO PLACES	X, XX	0.157, 006	X, XXX
THREE PLACES	X, XXX		X, XXXX
ANGLES			5°

DESIGN UNITS: SI METRIC US CUSTOMARY

WEIGHT